



Northern Star Quilters' Guild, Ltd.

P.O. Box 232 Somers N.Y. 10589

BARABARA SLITER

NEWS 'N' SUCH

NOVEMBER 1991

President's Corner

A feeling of guilt exists when I'm not filling my Presidential shoes at meetings, but I never doubt for a minute that things are left in good hands and will run smoothly. Thank you, Adrienne, for taking over, and to the other Board members for your assistance.

I, in the meantime, had two weeks of relaxing, sunning and eating down on Hilton Head Island. But I don't leave quilting behind when I go. This year I took applique sections for that quilt I started 2 or 3 years ago, put aside, then suffered with through tedious ripping sessions this summer. Also took patterns and graph paper to design my Challenge Project. It is ready to go. How is yours coming? This year's challenge really seems exactly that, a challenge. Reach! Try something new! Have fun expanding your creative abilities, then share the results with us in February. That is such a great meeting.

Perhaps of some help for your uneven sized challenge this year is an article in the October issue of Quilter's Newsletter Magazine, pp. 42-43. This explains an alternative method for finishing quilt edges, without binding.

Thanks to all who completed the survey we put together as a means of guidance for future planning. If you were not at the October meeting, and would like your needs and preferences known, see me

or Lauran Tyler (at the membership table) for a survey form. Complete it, then return it to us during the November meeting.
See you then.

Joyce Sullivan



CALENDAR

- 10/31 Deadline, raffle quilt sponsor proposals
- 10/31-11/3 Quilt Show, Westford, MA
- 11/2 Class- Freeport, NY
- 11/2-1/5 Quilt Show, Auburn, NY
- 11/5 Show Committee Meeting
- 11/9 NSQG Holiday Boutique, Bedford, NY
- 11/12-12/28 Quilt Show, NYC
- 11/15-17 Quilt Festival, Suffern, NY
- 11/16 Fairfield Fashion Show, Garden City, NY
- 11/19-20 NSQG Workshops-Mary Coyne Penders
- 11/19 NSQG General Meeting
- 11/26 NSQG Board Meeting
- 12/17 NSQG General Meeting
- 2/14-16 Quilt Weekend, Portsmouth, NH

Programs

In November we welcome Mary Coyne Penders, who will lecture on "Stitching The World Together - Quilts from Many Lands". Mary Coyne Penders is a world renowned teacher and lecturer. She is the author of Color and Cloth, as well as three new books which we hope will arrive in time for November's meeting. They are on press as you read this! There is still room in her workshops, and I urge you to take advantage of them. Look at the Raffle Table where Ruth Page, Carolyn Koetse, and Linda Rose will have gorgeous holiday fabrics, as well as Quilting Basics, and at least one Mary Coyne Penders book.

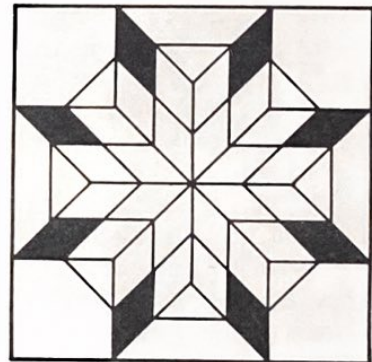
For December, remember we have a special program planned. We will play the brand new game, Quilt-O! There will be lots of prizes, so come and join the fun. Also remember our special December Grab Bag. Items to be made or purchased by guild members. Each member must bring a gift to participate. The rules are that the item should cost no more than \$5, and if possible represent another part of yourself. For example: a small hand-written book of your favorite holiday recipes, a cassette of your favorite quilting music, 10 party games for children (that actually worked), a romance novel, your poetry hard-bound, a grooming book, a blow-up of your best photograph, or any other handmade object. The most important rule is -- it must be fun!

January will be a hands-on program with an emphasis on Appliques, Embellishments, and Faces and Figures. These mini-workshops taught by our proficient guild members will help us all in a very special Quilt Project, which every member will be able to participate in. We will begin three progressive quilts that will be worked on until our final meeting of the year in June, 1992. Complete information will be printed in our next

newsletter. There is room for every level on this project, and for new quilters this is a great ice-breaker. Your stitches and personality are welcomed with appreciation and love. Progressive quilts are a way for us to all grow, and will give Eleanor Scarcella some more information for our history.

A note about October's meeting. Sorry for all the sore derrieres. Our dates were all cleared by the School Board months ago, and the change of plans was a great shock to me as well. I sent a "thank you" to Joyce Murrin for being the world's best sport under trying circumstances. According to the School Board, we will not have to endure the discomfort again.

Adrienne Yorinks



1991-1992 BOARD OF DIRECTORS

PRESIDENT-Joyce Sullivan	277-3832
VP PROGRAM- Adrienne Yorinks	669-9450
VP MEMBERSHIP-Lauran Tyler	232-8470
TREASURER-Nancy Mirman	277-5210
REC. SEC'Y-Caroline Kearney	232-7761
CORR. SEC'Y-Linda VonAhn	628-5380
RESOURCE & EDUCATION-Open	
SP. EVENTS-Pat Barker	736-1150
HOSPITALITY-Provi Svensson	232-1746
PUBLICITY-Gert Robbins	277-8004
NEWSLETTER- Barbara Sliter	528-9047
QUILT SHOW-Pat Baker	279-8840

Show News

We will have a choice of several charities as possible recipients of our '92 raffle money, any one of which will be a worthy choice. Thanks to those members who turned in their nominations. Descriptive sheets will be handed out at the door at the November meeting so that you may make an informed vote.

There is still lots of quilting to be done on the quilt; see Eleanor's note elsewhere in the Newsletter.

Perhaps you noticed the clips which were used to hang Joyce Murrin's beautiful quilts at the October meeting. These clips just drop over the top of the frame, and were designed by Bill Thorn for use at the show. They will greatly speed up hanging the show quilts, doing away entirely with the clothesline that had to be strung from frame to frame. Our thanks to Bill, who never seems to run out of improvements for our frames.

This guild has so many talented, creative people among the membership. Don't one of you (or two of you together) have an idea floating around in your head(s) that would make another stunning quilt to raffle in 1993? Wouldn't you like to see it realized? It was a tremendous help to have the top for this year's quilt totally pieced before the year began, and it would be great to do this every year. Where are you, creative people?

May 2 and 3, 1992 may seem like a date dim in the distance, but your committee is quietly but busily working away on plans, preparations and publicity.

Pat Baker



Financial Report

NSQG BALANCE 8/31/91 \$31,274.70

GENERAL ACCOUNT 8/31/91

\$17,228.25

Cash Received

Interest	\$26.15
Membership	4772.50
Raffle	186.00
Miscellaneous	15.00

Cash Dispersed

Program	\$253.40
Membership	45.32
Newsletter	264.21
Hospitality	19.76
Prof. Fees	900.00
Bank Charges	30.90
Miscellaneous	<u>26.44</u>

BALANCE 9/30/91 \$20,587.87

QUILT SHOW ACCOUNT 8/31/91

\$14,046.45

Cash Received

Frame Rental	\$100.00
--------------	----------

Cash Disbursed

Show Pins	\$100.00
Miscellaneous	<u>7.23</u>

BALANCE 9/30/91 \$14,039.22

NSQG BALANCE 9/30/91 \$34,627.09

Nancy Mirman

Resource & Education

There's still time to sign up for the three classes given by Mary Coyne Penders, author of "Color and Cloth", and our November speaker. Take advantage of this wonderful opportunity to get the guidance of a nationally known quilter and teacher. Classes will be held the week of November 18.

•Resplendent Stars - Make a star sampler wall quilt, and learn from a master how to work with color values and fabric designs. \$40 9-3:30. Wednesday 11/20

•Precision Patchwork - Make your life easier with techniques for precision cutting and stitching. Half day workshop. \$25, 9-12. Tuesday 11/19.

•Successful Stars - Half day workshop featuring hints on drafting, cutting, sewing and pressing stars, so that all points meet. \$25 12:30-3:30. Tuesday 11/19.

Call Joan Crawford 279-3457 to sign up, or get further information.

Thanks to all of you who filled out a questionnaire for us at the October meeting. The Board will report to you soon on results.



MEETING NOTES

For our November meeting you will be glad to know that we will meet in the school cafeteria, as we usually do. No special shoes or parking instructions are required. Our thanks to all the good sports who braved sitting in the bleachers in the gym for the October meeting!

Remember, the schedule for General Meetings is that the doors open at 7:00, and the meeting begins at 7:45.

Dates for our General Meetings for the rest of the year: Nov 19, Dec. 17, Jan. 21, Feb. 11, March 17, April 21, May 19, June 16.

Board meetings are scheduled for Nov.26, Jan.14, Feb.18, Mar. 24, April 28, May 26, June 23, July 14.



Membership

Welcome to our 6 new members! Please pick up your New Member's Folders at the November Meeting.

Updated Membership Lists will be available for all members at the November meeting -- pick up your copy at the Membership Table.

Hospitality

Many thanks to the members who provided goodies at the October meeting. Below is a list of members who signed up to bring finger foods (cookies, crackers and cheese, etc.) in November. Remember, the Guild provides the beverages: soda, coffee and tea.

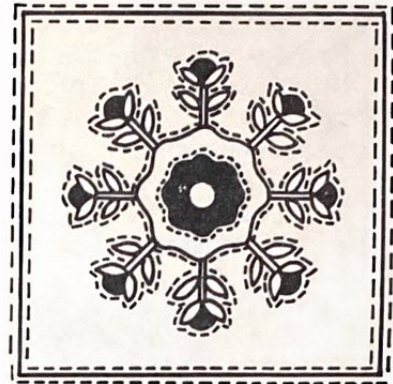
Kate Pearson
Barbara Hicks
Simone Montegut
Joan Doggett
Linda Lim
Peg Murtha
Sally Pietrobono.

Provi Svensson & Cathy Carey

FABRIC RAFFLE REINSTATED

Beginning with the November meeting we will again hold fabric raffles. For each 1/4 yard (fat quarter or long quarter) of fabric you bring in, a raffle ticket will be given. Fabrics will be assembled into pleasing bundles which will go to the lucky winners whose tickets are drawn along with the general raffle drawings. Lillian Collyer is the volunteer in charge. Bring your quarter yards to her.

November fabric color -
Christmas prints, reds, and greens
to use in holiday projects.



NEW ENGLAND QUILT MUSEUM

Eighteen months ago, my husband and I visited the New England Quilt Museum, in Lowell, MA, for the first time. We were very impressed with the display space in an old, renovated mill building, and enjoyed the beautiful show of Amish quilts which had been lovingly collected from all over the US and Canada.

An article in the newsletter of the Bayberry Quilters of Cape Cod has alerted us that due to a plumbing malfunction on the floor above, the Museum has recently had to be evacuated. All quilts were saved, due to prior planning for just such an emergency. At this time, a new location is being sought to house the Museum.

The good news is that Keepsake Quilts will match contributions to the N. E. Quilt Museum Flood Fund until November 30. Those interested in making a donation should make checks payable to N. E. Quilt Museum Flood Contribution, and mail it to Keepsake Quilts, PO Box 1459, Meredith, NH 03253.

Barbara Sliter

coming events

• Rockland Quilt Festival,
Rockland Community College Field
House, College Road, Suffern, NY.
Open 6-9 Friday, Nov. 15, 9-5 Sat.
and Sun. Nov. 16-17. In addition to
on-going demonstrations, the
following speakers are scheduled:
Paula Nadelstern, Emiko Toda Loeb,
Virginia Avery, and Joyce Murrin.
For further information, send SASE
to Rockland Quilt Festival, Box 41,
Blauvelt, NY 10913.

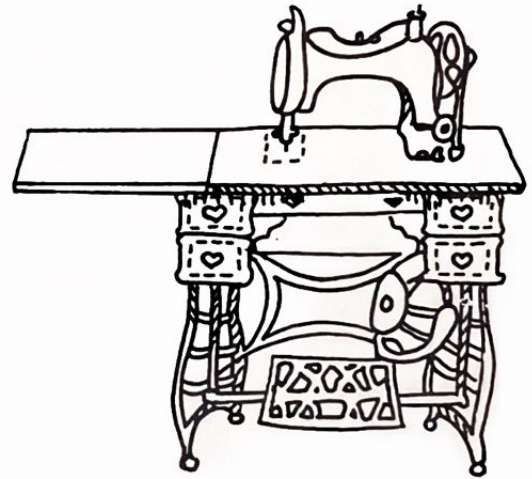
• A Quilter's Gathering.
Westford Regency Inn, Westford MA
(Exit 32 off I-95), Oct. 31-Nov. 3,
sponsored by the East Coast
Quilter's Alliance. Featured will
be the "Times of Our Lives" contest
quilts and an invitational exhibit
of Christmas Quilts. Workshops
instructors will be Nancy Halpern,
Mickey Lawler, Judy Mathieson, and
others.

• NSQG Holiday Boutique. Nov.
9 10A-4:30P at the Fox Lane High
School on Rte. 172 in Bedford, NY.
This annual event offers quilts and
other handcrafted items, including
ornaments and dolls, for sale by
NSQG members.

• Quilts Move Into the 21st
Century an exhibit of 25 quilts by
by contemporary artists at The City
Gallery, Dept. of Culural Affairs, 2
Columbus Circle, NYC. The exhibit
runs from Nov. 12 to Dec. 28. The
City Gallery is open Mon-Fri 10A-
5:30P.

• Quilts=Art=Quilts, an annual
national juried quilt show will be
shown at the Schweinfurth Art
Center, 205 Genesee Street, Auburn,
NY 13021, Nov. 2-Jan. 5, 1992.
Hours M-F 12-5; Sat 10-5, Sun 1-5.

• Quilter's Get-Away Weekend
Feb 14-16, 1992 at the Sheraton
Harborside, Portsmouth NH. Choose
from a variety of classes taught by
Nancy Henry, Susan Bickford, Faye
Labanaris, Cindi McKenney, Wen
Redmond. \$275 includes all meals,
lodging, and classes. Send large
SASE (29¢) to Quilter's Get-Away
Weekend, c/o Patience Corner Quilt
Shop, Samuel Beck House, The Hill,
Portsmouth, NH 03801.



WHERE IS THE RAFFLE QUILT?

Nov. 19-26 Lorraine Mioducki
(Brewster) 279-7293

December Eleanor Scarcella (Granite
Springs) 248-8281

Call Eleanor if you wish to work on
the quilt at her house or if you
wish to have it to yourself at home
a night or two.

We are on our second spool of
quilting thread, and there are still
hours of work to be done. How about
a few new faces!

FABRIC MARKING PENS

The following information was taken from the Sept., 1991 Yankee Pride Newsletter from Pittsfield, MA: ...A notice from National Quilting Association Newsletter, "Chapter Chatter": Quilt teachers have been saying for years that you have to make choices that are best for you and your project. Unfortunately, we have recently received some news from the textile conservator, Loreen Finkelstein, regarding transfer marking pens which may significantly affect your decision. The ink, which can be removed by water, erasers, air and time, has been found to damage cloth. Although the results seem satisfactory at first, Ms. Finkelstein has been alerted that the marked areas have begun to disintegrate. Areas of loss are developing, directly related to the markers. She recommends that whenever possible, you limit your marking to chalk, tailor's chalk, regular pencil or masking tape.

Separately, member Gloria Hartley tells us that used sewing machine needles make strong, easily mounted, picture hooks.



SUE'S FABRIC WORLD
 Your every sewing & quilting needs
 10% discount on fabrics to NSQG.
 Open Mon.-Sat. 10AM-6PM
 Thurs. & Fri. 'til 8PM. Sun. 12-5PM
 11 Mahopac Village Center
 Route 6, Mahopac, NY 10541
 Sue Bennett, Owner
 (914)628-8338



Claire Ochler, Owner

Fabrics - Books - Supplies
Classes - Quilts - Gifts

Open Mon.-Sat. 9:30 AM - 5:30 PM, Thurs. 'til 9 PM
 (Open evenings of NSQG meetings until 7 PM.)

The Country Quilter
 Rtes. 100 / 202, Somers, NY 10589
 (914) 277-4820, FAX (914) 277-8604



*****FABRIC MART*****
 * Authorized Dealer **PPAFF** Sewing *
 * Machines. *
 * The Quilters'Dream *
 * Lightweight, with Exclusive *
 * Built-In Walking Foot and 19 *
 * Needle positions. *
 * 10% Discount on Quilting *
 * Fabrics for Guild Members. *
 *
 *2019 Crompound Rd. Yorktown
 Hts., *
 *NY, 914/962-3328 *
